

Height mm	Length mm	SINGLE CONVECTOR TYPE 11			SINGLE CONVECTOR TYPE 21			DOUBLE CONVECTOR TYPE 22		
		Henrad Code	Heat emissions Watts Btu/hr		Henrad Code	Heat emissions Watts Btu/hr		Henrad Code	Heat emissions Watts Btu/hr	
300	500	2031105	255	868	2032105	373	1271	2032205	491	1675
	1000	2031110	509	1737	2032110	745	2542	2032210	982	3351
	1500	2031115	764	2605	2032115	1118	3813	2032215	1473	5026
	1600	-	-	-	-	-	-	2032216	1571	5362
	2000	2031120	1018	3473	2032120	1490	5084	2032220	1964	6701
450	400	2011104	302	1032	2012104	422	1440	2012204	548	1871
	500	2011105	378	1290	2012105	528	1800	2012205	686	2339
	600	2011106	454	1548	2012106	633	2160	2012206	823	2807
	700	2011107	529	1806	2012107	739	2520	2012207	960	3274
	800	2011108	605	2064	2012108	844	2880	2012208	1097	3742
	900	2011109	680	2322	2012109	950	3240	2012209	1234	4210
	1000	2011110	756	2579	2012110	1055	3600	2012210	1371	4678
	1100	2011111	832	2837	2012111	1161	3960	2012211	1508	5146
	1200	2011112	907	3095	2012112	1266	4320	2012212	1645	5613
	1400	2011114	1058	3611	2012114	1477	5040	2012214	1919	6549
	1600	2011116	1210	4127	2012116	1688	5759	2012216	2194	7485
	1800	2011118	1361	4643	2012118	1899	6479	2012218	2468	8420
	2000	2011120	1512	5159	2012120	2110	7199	2012220	2742	9356
	2200	2011122	1663	5675	-	-	-	2012222	3016	10291
	2400	2011124	1814	6191	-	-	-	2012224	3290	11227
600	300	2061103	294	1003	-	-	-	-	-	-
	400	2061104	392	1338	2062104	538	1836	2062204	693	2364
	500	2061105	490	1672	2062105	673	2295	2062205	866	2955
	600	2061106	588	2006	2062106	807	2753	2062206	1039	3546
	700	2061107	686	2341	2062107	942	3212	2062207	1212	4137
	800	2061108	784	2675	2062108	1076	3671	2062208	1386	4728
	900	2061109	882	3009	2062109	1211	4130	2062209	1559	5319
	1000	2061110	980	3344	2062110	1345	4589	2062210	1732	5910
	1100	2061111	1078	3678	2062111	1480	5048	2062211	1905	6501
	1200	2061112	1176	4013	2062112	1614	5507	2062212	2078	7092
	1400	2061114	1372	4681	2062114	1883	6425	2062214	2425	8273
	1600	2061116	1568	5350	2062116	2152	7343	2062216	2771	9455
	1800	2061118	1764	6019	2062118	2421	8260	2062218	3118	10637
	2000	2061120	1960	6688	2062120	2690	9178	2062220	3464	11819
	2200	2061122	2156	7356	-	-	-	2062222	3810	13001
2400	2061124	2352	8025	-	-	-	2062224	4157	14183	
700	400	2071104	447	1527	2072104	612	2088	2072204	784	2676
	500	2071105	559	1906	2072105	765	2610	2072205	981	3345
	600	2071106	670	2287	2072106	918	3132	2072206	1177	4015
	700	2071107	782	2668	2072107	1071	3654	2072207	1373	4684
	800	2071108	894	3049	2072108	1224	4176	2072208	1569	5353
	900	2071109	1005	3430	2072109	1377	4698	2072209	1765	6022
	1000	2071110	1117	3811	2072110	1530	5220	2072210	1961	6691
	1100	2071111	1229	4192	2072111	1683	5742	2072211	2157	7360
	1200	2071112	1340	4573	2072112	1836	6264	2072212	2353	8029
	1400	2071114	1564	5336	2072114	2142	7309	2072214	2745	9367
	1600	2071116	1787	6098	2072116	2448	8353	2072216	3138	10705
	1800	2071118	2011	6860	2072118	2754	9397	2072218	3530	12044
2000	2071120	2234	7622	2072120	3060	10441	2072220	3922	13382	

Technical information

Testing and Operating Pressures

Henrad Compact Range has been independently tested to ensure these radiators perform to a maximum working pressure of 10 bar.

Connections

Henrad Compact has 4 x 1/2" BSP connections as standard.

Paint Process

Two coat paint process, each Henrad radiator is subjected to a multi-stage cleaning and paint process.

The final powder coat is Traffic white (RAL A9016) which is stoved and cooled to give a perfect finish. All radiators are illustrated in Traffic white unless stated.

Water Treatment

Installation of the system should be properly flushed and fitted in accordance with the British Code of Practice for the Treatment of Water in Domestic Hot Water Central Heating Systems.

Warranty

Henrad Compact Range comes with a 10 year manufacturer's warranty.



For technical and installation information visit our website www.henrad.co.uk/downloads

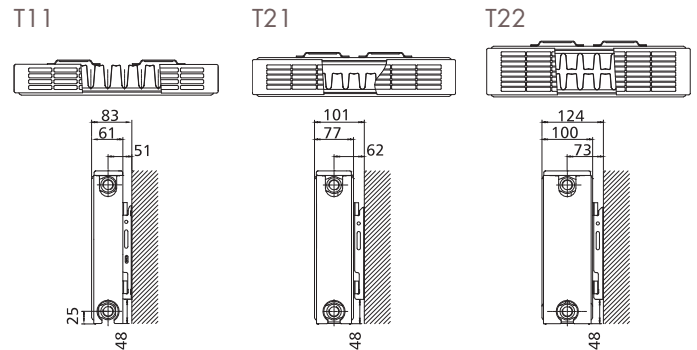
Henrad (UK) Limited, Marriott Road,
Mexborough, South Yorkshire S64 8BN.
Telephone: 0800 876 6813

www.henrad.co.uk

Henrad Compact

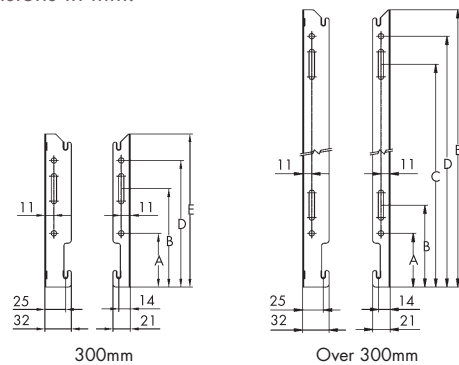
Wall Mounting Information

All dimensions in mm.



Mounting Bracket Information

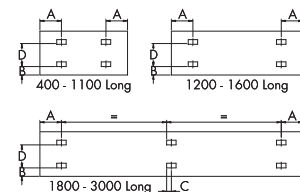
All dimensions in mm.



All dimensions in mm.					
Height	300	450	500	600	700
A	65	65	65	65	65
B	119	99	99	99	99
C	-	269	319	419	519
D	153	303	333	453	553
E	185	335	385	485	585

T11, T21 & T22 Lug Positions

All dimensions in mm.



Panel Height D	mm	mm	T21 & T22	T11
Dimensions	mm	mm	Dimensions	mm
A	133	A 400mm	A 400mm	117
B	60	A 500-3000mm	B 400-3000mm	150
		B 400-3000mm		60
		C 1800-3000mm		17