

**NEW** LST Standard Deco

Single Convector Type 11

Casing Height mm	Casing Length mm	Henrad Code	Heat emissions Watts	Btu/hr
500	560	245000*	196	669
	760	245001	293	1000
	960	245002	391	1334
	1160	245003	489	1668
	1360	245004	587	2003
	1560	245005	685	2337
	1760	245006	782	2668
	1960	245007	880	3003
650	560	245024*	290	989
	760	245025*	435	1484
	960	245026*	580	1979
	1160	245027*	725	2474
	1360	245028*	870	2968
	1560	245029	1015	3463
	1760	245030	1160	3958
	1960	245031	1305	4453
800	460	245072	274	935
	560	245048	365	1245
	760	245049	548	1870
	960	245050	730	2491
	1160	245051	913	3115
	1360	245052	1096	3740
	1560	245053	1278	4361
	1760	245054	1461	4985
1960	245055	1643	5606	

Btu/hr @ Δt50°C

\*STOCKED RADIATORS



- 100mm pitch on the front fascia
- LST Standard Deco gives you the option to specify controls.
- LST Standard Deco has the option to reverse the attractive outer casing to suit the pipe layout.
- For peace of mind the paint finish is anti-bacterial.
- The LST Standard Deco comes complete with all components required in one easy package.
- The internal emitter generates excellent heat outputs through convection.
- Tested to high standards, the emitter has a maximum working pressure of 145psi

**NEW** LST Standard Deco

Double Convector Type 21

Casing Height mm	Casing Length mm	Henrad Code	Heat emissions Watts	Btu/hr
500	560	245008	284	969
	760	245009	426	1454
	960	245010	568	1938
	1160	245011	710	2423
	1360	245012	852	2907
	1560	245013	994	3392
	1760	245014	1136	3876
	1960	245015	1278	4361
650	560	245032	386	1317
	760	245033	580	1979
	960	245034	773	2637
	1160	245035	966	3296
	1360	245036	1159	3955
	1560	245037	1352	4613
	1760	245038	1546	5275
	1960	245039	1739	5933
800	560	245056	501	1709
	760	245057	751	2562
	960	245058	1002	3419
	1160	245059	1252	4272
	1360	245060	1502	5125
	1560	245061	1753	5981
	1760	245062	2003	6834
	1960	245063	2254	7691

Btu/hr @ Δt50°C

**NEW** LST Standard Deco

Double Convector Type 22

Casing Height mm	Casing Length mm	Henrad Code	Heat emissions Watts	Btu/hr
500	560	245016*	348	1187
	760	245017*	522	1781
	960	245018	696	2375
	1160	245019*	870	2968
	1360	245020	1044	3562
	1560	245021	1218	4156
	1760	245022	1392	4750
	1960	245023	1566	5343
650	560	245040*	478	1631
	760	245041*	717	2446
	960	245042*	956	3262
	1160	245043*	1195	4077
	1360	245044*	1434	4893
	1560	245045*	1673	5708
	1760	245046*	1912	6524
	1960	245047*	2151	7339
800	460	245073	461	1573
	560	245064	615	2098
	760	245065*	922	3146
	960	245066*	1230	4197
	1160	245067*	1537	5244
	1360	245068*	1844	6292
	1560	245069*	2152	7343
	1760	245070*	2459	8390
1960	245071*	2767	9441	

Btu/hr @ Δt50°C

## Technical Data

### Testing and Operating Pressures

Henrad LST Standard Deco has been independently tested to ensure radiators perform to a maximum working pressure of 10.0 bar.

### Connections

Henrad LST Standard Deco has 4 x 1/2" BSP connections as standard.

### Paint Process

Two coat paint process, each Henrad radiator is subjected to a multi-stage cleaning and paint process.

The final powder coat is Traffic white (RAL A9016) which is stoved and cooled to give a perfect finish. All radiators are illustrated in Traffic white unless stated.

### Water Treatment

Installation of the system should be properly flushed and fitted in accordance with the British Code of Practice for the Treatment of Water in Domestic Hot Water Central Heating Systems.

### Warranty

Henrad LST Standard Deco comes with a 10 year manufacturer's warranty on Emitter and 5 year manufacturer's warranty on Casing.



ON EMITTER ON CASING

For technical and installation information visit our website [www.henrad.co.uk/downloads](http://www.henrad.co.uk/downloads)

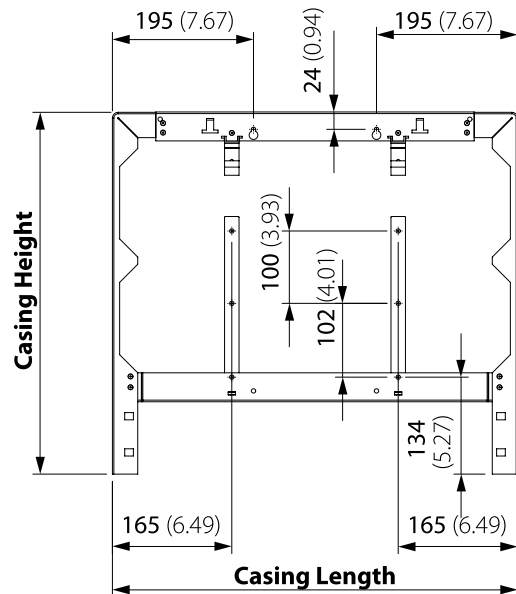
Henrad (UK) Limited, Marriott Road,  
Mexborough, South Yorkshire S64 8BN.  
Telephone: 0800 876 6813

[www.henrad.co.uk](http://www.henrad.co.uk)

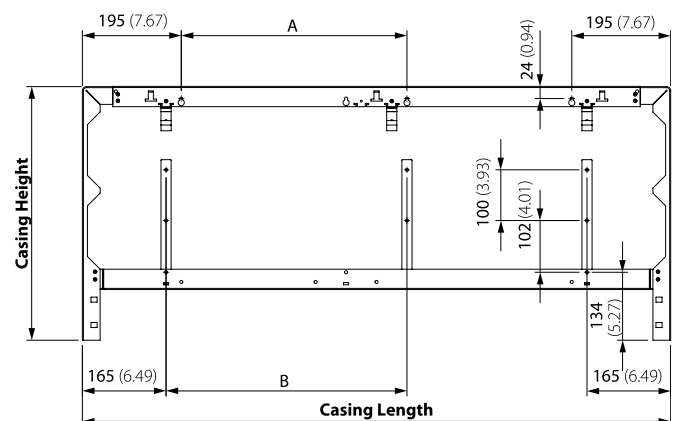
## LST Standard Deco

### LST Standard Deco Wall Fixings & Bracket Positions

All dimensions in mm unless stated.



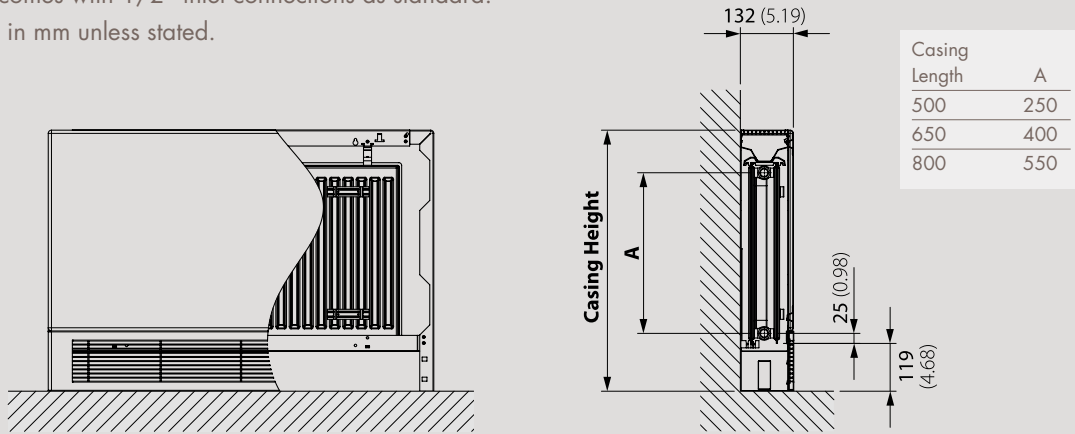
Casing Length	Casing Height
560	500
760	650
960	800



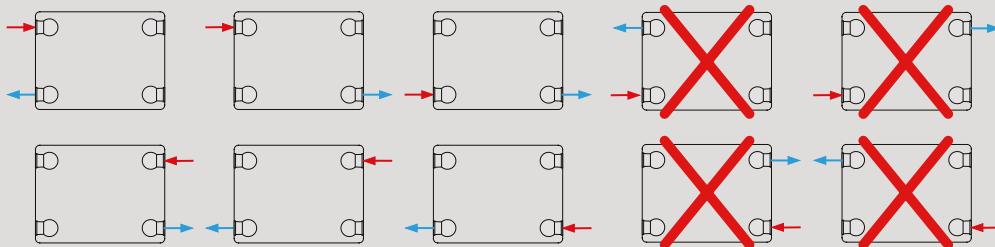
Casing Length	A	B	Casing Height
1160	445	475	500
1360	545	575	650
1560	645	675	800
1760	745	775	
1960	845	875	

**LST Standard Deco Connection Options**

Each radiator comes with 1/2" inlet connections as standard.  
All dimensions in mm unless stated.



**LST Standard Deco Piping Option**



**LST Standard Deco Components**



LST Standard Deco front case view.



LST Standard Deco inside the casing showing the emitter.



LST Standard Deco emitter, showing high level valve option (valve not included).



LST Standard Deco circular knockout for TRV oblong knockout for pipe.