

NEW LST i Plus Deco

Single Convactor Type 11

Casing Height mm	Casing Length mm	Henrad Code	Heat emissions Watts	Btu/hr
500	650	245200	196	669
	850	245201	293	1000
	1050	245202	391	1334
	1250	245203	489	1668
	1450	245204	587	2003
	1650	245205	685	2337
	1850	245206	782	2668
	2050	245207	880	3003
650	650	245208	290	989
	850	245209	435	1484
	1050	245210	580	1979
	1250	245211	725	2474
	1450	245212	870	2968
	1650	245213	1015	3463
	1850	245214	1160	3958
	2050	245215	1305	4453
800	650	245216	365	1245
	850	245217	548	1870
	1050	245218	730	2491
	1250	245219	913	3115
	1450	245220	1096	3740
	1650	245221	1278	4361
	1850	245222	1461	4985
	2050	245223	1643	5606

Btu/hr @ Δt50°C



- 100mm pitch on the front fascia
- An arthritic adaptor is supplied as standard for specifically chosen environments
- LST i Plus Deco gives you the option to specify controls.
- LST i Plus Deco has the option to reverse the attractive outer casing to suit the pipe layout.
- For peace of mind the paint finish is anti-bacterial.
- The LST i Plus Deco comes complete with all components required in one easy package.
- The internal emitter generates excellent heat outputs through convection.
- Tested to high standards, the emitter has a maximum working pressure of 145psi

NEW LST i Plus Deco

Double Convactor Type 21

Casing Height mm	Casing Length mm	Henrad Code	Heat emissions Watts	Btu/hr
500	650	245248	284	969
	850	245249	426	1454
	1050	245250	568	1938
	1250	245251	710	2423
	1450	245252	852	2907
	1650	245253	994	3392
	1850	245254	1136	3876
	2050	245255	1278	4361
650	650	245256	386	1317
	850	245257	580	1979
	1050	245258	773	2637
	1250	245259	966	3296
	1450	245260	1159	3955
	1650	245261	1352	4613
	1850	245262	1546	5275
	2050	245263	1739	5933
800	650	245264	501	1709
	850	245265	751	2562
	1050	245266	1002	3419
	1250	245267	1252	4272
	1450	245268	1502	5125
	1650	245269	1753	5981
	1850	245270	2003	6834
	2050	245271	2254	7691

Btu/hr @ Δt50°C

NEW LST i Plus Deco

Double Convactor Type 22

Casing Height mm	Casing Length mm	Henrad Code	Heat emissions Watts	Btu/hr
500	650	245224	348	1187
	850	245225	522	1781
	1050	245226	696	2375
	1250	245227	870	2968
	1450	245228	1044	3562
	1650	245229	1218	4156
	1850	245230	1392	4750
	2050	245231	1566	5343
650	650	245232	478	1631
	850	245233	717	2446
	1050	245234	956	3262
	1250	245235	1195	4077
	1450	245236	1434	4893
	1650	245237	1673	5708
	1850	245238	1912	6524
	2050	245239	2151	7339
800	650	245240	615	2098
	850	245241	922	3146
	1050	245242	1230	4197
	1250	245243	1537	5244
	1450	245244	1844	6292
	1650	245245	2152	7343
	1850	245246	2459	8390
	2050	245247	2767	9441

Btu/hr @ Δt50°C

Technical Data

Testing and Operating Pressures

Henrad LST i Plus Deco has been independently tested to ensure radiators perform to a maximum working pressure of 10.0 bar.

Connections

Henrad LST i Plus Deco has 4 x 1/2" BSP connections as standard.

Paint Process

Two coat paint process, each Henrad radiator is subjected to a multi-stage cleaning and paint process.

The final powder coat is Traffic white (RAL A9016) which is stoved and cooled to give a perfect finish. All radiators are illustrated in Traffic white unless stated.

Water Treatment

Installation of the system should be properly flushed and fitted in accordance with the British Code of Practice for the Treatment of Water in Domestic Hot Water Central Heating Systems.

Warranty

Henrad LST i Plus Deco comes with a 10 year manufacturer's warranty on Emitter and 5 year manufacturer's warranty on Casing.



ON EMITTER ON CASING

For technical and installation information visit our website www.henrad.co.uk/downloads

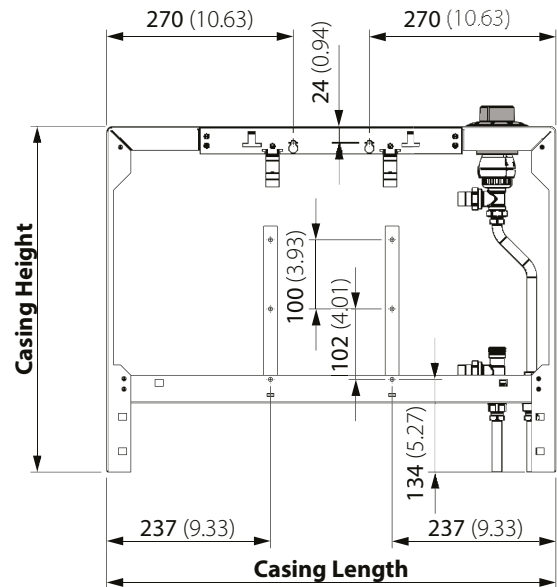
Henrad (UK) Limited, Marriot Road,
Mexborough, South Yorkshire S64 8BN.
Telephone: 0800 876 6813

www.henrad.co.uk

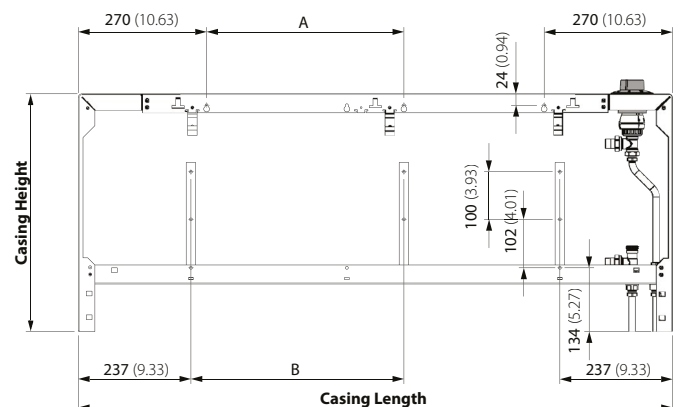
LST i Plus Deco

LST i Plus Deco Wall Fixings & Bracket Positions

All dimensions in mm unless stated.



Casing Length	Casing Height
650	500
850	650
1050	800

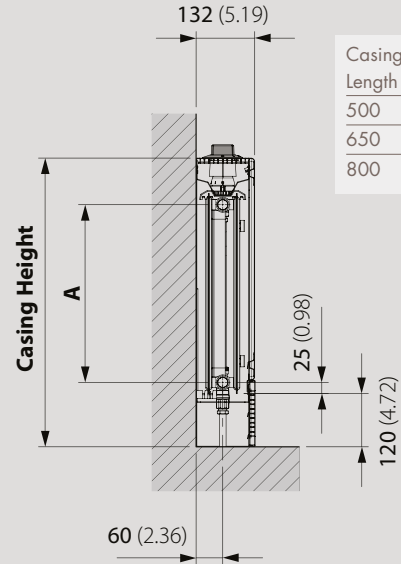
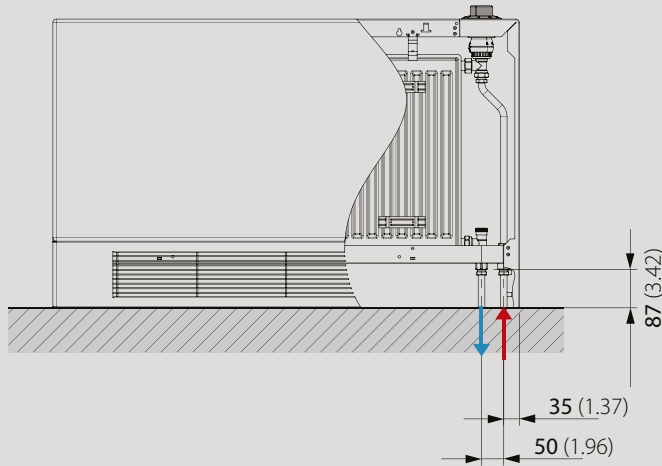
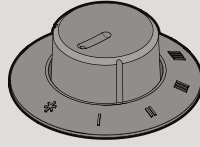


Casing Length	A	B	Casing Height
1250	415	448	500
1450	515	548	650
1650	615	648	800
1850	715	748	
2050	815	848	

LST i Plus Deco Connection Options

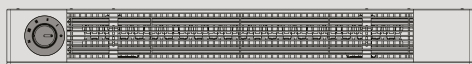
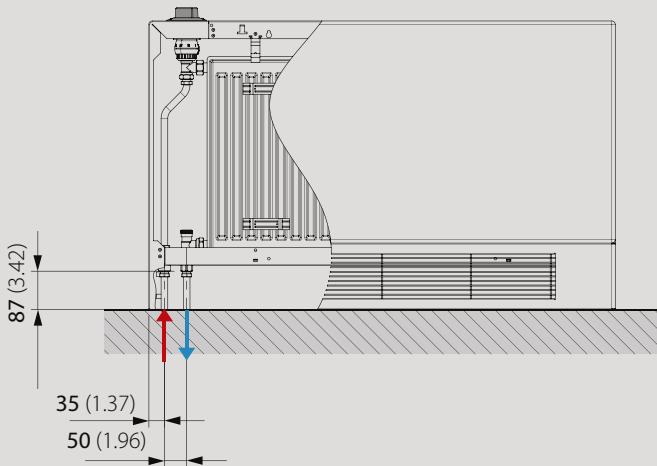
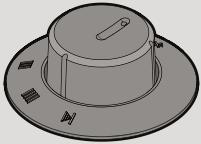
Each radiator comes with 1/2" inlet connections as standard.
All dimensions in mm unless stated.

CONTROL ON RIGHT-HAND SIDE

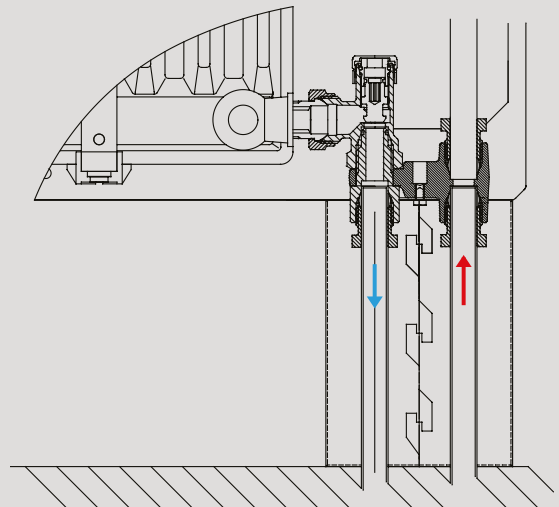


Casing Length	A
500	250
650	400
800	550

CONTROL ON LEFT-HAND SIDE



PIPE CONFIGURATIONS



LST i Plus Deco Components



LST i Plus Deco front case view.



LST i Plus Deco inside the casing showing the emitter.



LST i Plus Deco oblong knockout for pipe.



Optional cover cap to discourage unauthorised tampering.



An arthritic adaptor is supplied as standard for special needs environments.



Accommodated within the casing, the Henrad LST i Plus Deco emitter, with TBSE valve arrangement and 2 x 1/2" BSP connections as standard.



Includes Danfoss RA-2000 TRV and copper pipe configuration.



The remote sensing thermostatic valve gives accuracy of operation and the limiting device is completely hidden to prevent the maximum temperature being exceeded.